

OA-6000 Series

Sensor unit OA-6000S Sensor/Controller all in one unit OA-6000T

5925411 JUL 2016

MANUFACTURER'S STATEMENT

Read this installation instructions carefully before use to ensure proper operation of this product. Failure to read this operation manual may cause improper operation and may result in serious injury or death of a person. The meanings of the symbols are as follows.

	WARNING	Disregard of the warning symbol can cause improper operation which may cause death or serious injury.
	CAUTION	Disregard of the caution symbol can cause improper operation which may cause injury of a person or damage the object.
	NOTE	Special attention is required to the section of this symbol.

- NOTE**
- This product is a non-contact switch intended for header mount to use on industrial doors. Do not use for any other applications.
 - When setting the sensor's detection area, make sure that there is no traffic around the installation site.
 - Before turning the power ON, check the wiring to prevent damage or malfunction of equipment connected to the product.
 - Only use the product as specified in the operation manual provided.
 - Be sure to install and adjust the sensor in accordance with the local laws and standards of the country in which the product is installed.
 - Before leaving the installation site make sure that the product is operating properly and instruct the building owner/operator on proper operation of the shutter and the product.
 - The product settings can only be changed by an installer or service engineer. When changed, the changed settings and the date shall be registered in the maintenance logbook accompanying the shutter.

	WARNING	Do not wash, disassemble, rebuild or repair the sensor, otherwise it may cause electric shock or breakdown of the equipment.
Danger of electric shock		

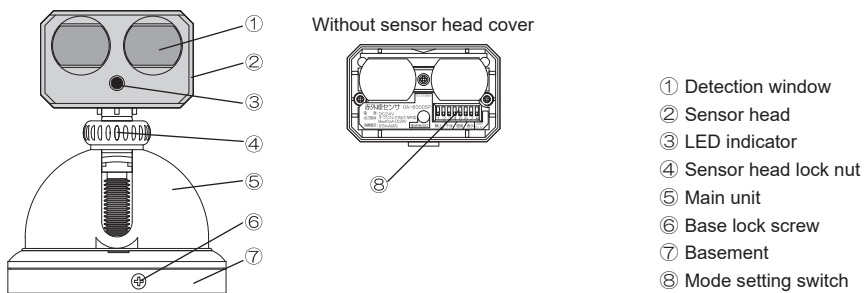
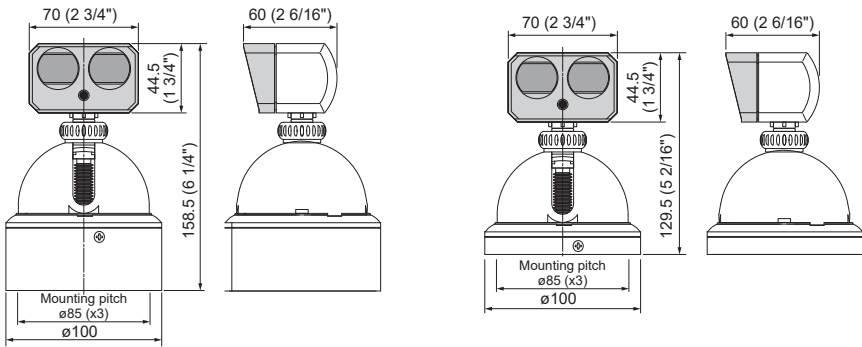
- NOTE**
- The following conditions are not suitable for sensor installation.
- Fog or exhaust emission around the shutter
 - Wet floor
 - Vibrating header or mounting surface
 - Moving objects, steel plate, emergency lights or illumination in the detection area or in vicinity
 - Highly reflecting floor or highly reflecting objects around the shutter

SPECIFICATIONS

Model	OA-6000S	OA-6000T
Detection range	2.0 to 6.0m (6' 6 3/4" to 19' 8 1/2")	
Detection method	Active infrared reflection method	
Detection range (Vertical)	-80° to +80° (Deep/Shallow)	
Detection range (Right & Left)	360°	
Power supply	24VDC	
Power consumption	< 1.5W (24VDC)	< 2.5W (24VDC)
Current consumption	< 65mA (24VDC)	< 105mA (24VDC)
Operation indicator	Stand-by : LED ON Detection : LED OFF Infinite detection : LED blinking	
Output	NPN 40mA Max. / 24VDC	"Form A" relay 100VAC 1A 30VDC 0.1A Max.
Relay hold time	Approx. 0.5sec.	
Operating temperature	-20 to +55°C (-4 to 131°F)	
Weight	200g (7.1oz)	290g (10.2oz)
Accessories	1 Operation manual 2 Mounting screws 1 Mounting template	

NOTE The specifications herein are subject to change without prior notice due to improvements.

OUTER DIMENSIONS AND PART NAMES

OA-6000 T **OA-6000S** [mm (inch)]


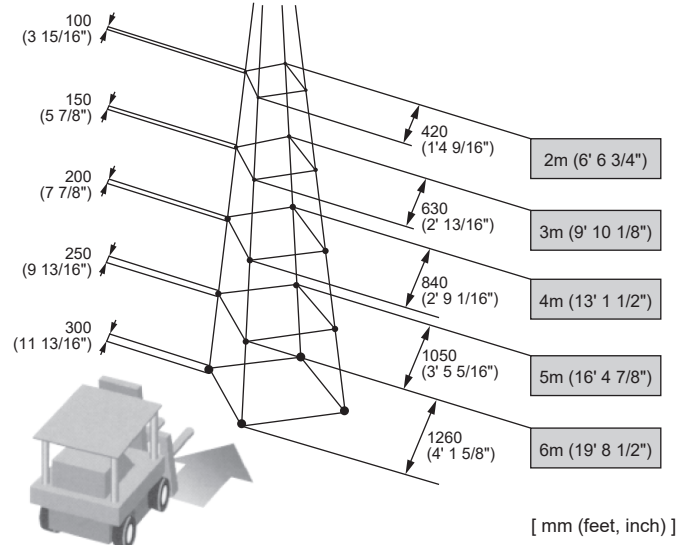
Combination sensor and controller

Please use the following combination pattern.

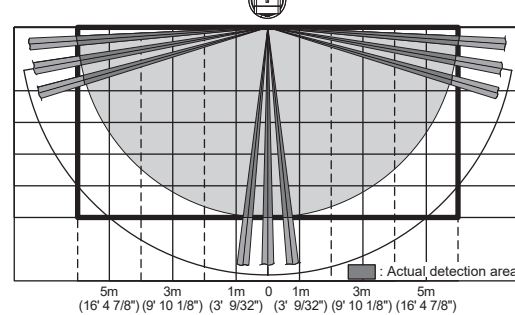
Products	OA-6000T	OA-6000S
Power input from shutter unit		
Power : 100~220V relay output	⊘	✓
Power : 24V relay output	✓	✓
Power : 24V open collector output	⊘	✓

The check ✓ mark indicates recommendation. The nix ⊘ sign indicates prohibition.

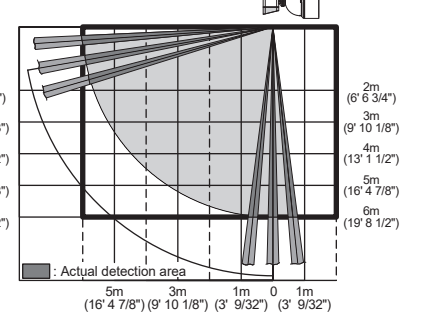
DETECTION AREA



FRONT VIEW



SIDE VIEW



NOTE The actual detection area may become smaller depending on the ambient light, the color / material of the object or the floor as well as the entry speed of the object.

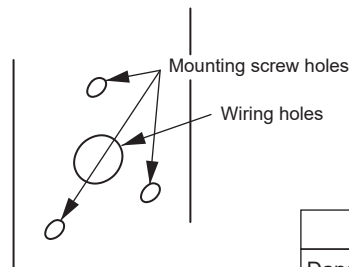
INSTALLATION

1 Install sensor

(1-1) Drill three mounting holes.

Affix the mounting template put "up side" sign up and make holes. Drill a wiring hole when you pass the cable into the wall.

- Mounting screw holes : ø3.3mm (1/8") (Three positions)
- Wiring hole : ø15mm (19/32") (One in center)

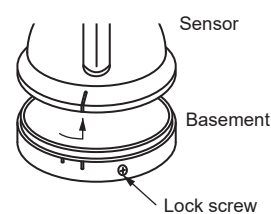


	CAUTION	Do not install sensors upside down. Otherwise rain water makes troubles.
Risk of product failure		
Right position of the mounting screw holes when install on the side pole.		
Right sensor position when use an angle.		

WARNING Make sure to remove burr in mounting holes otherwise damaged cable may cause electric shock.
Danger of electric shock

(1-2) Put attached screws into mounting holes temporary.

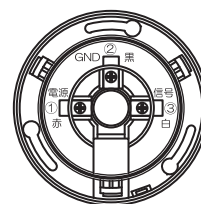
(1-3) Break off basement from sensor unit.



- Loose the lock screw of basement full well.
- Basement can break off when rotate anticlockwise.

(1-4) Set basement onto temporary screws of (1-2).

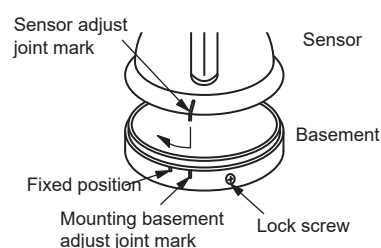
(1-5) Wiring onto basement.



Wiring should be allowed sign of basement.

- ① Power supply ... Red
- ② GND ... Black
- ③ Signal ... White

(1-6) Set sensor unit on basement.



- Push sensor unit onto basement adjust joint mark.
- Rotate sensor clockwise to prescribed position.
- Tight up the lock screw.