

PIR/MICRO-WAVE  
COMBINATION DETECTOR

**RX CORE series**  
**RXC-DT**

**Grade 2**  
EN50131-2-4

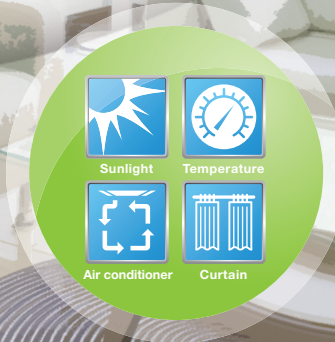
**VOLUMATIC  
QUAD ZONE  
LOGIC**

RXC-DT, PIR and Microwave Combination detector, has appeared in the RX-CORE series. RXC-DT includes features that RXC-ST has and enhances its performance for more challenging sites.



**DIGITAL QUAD ZONE LOGIC+**

RXC-DT covers the basic performance  
RXC-ST provides and more.



**FALSE ALARM IMMUNITY**

RXC-DT uses newer correction approaches supported by  
OPTEX CORE platform against various false alarm factors.

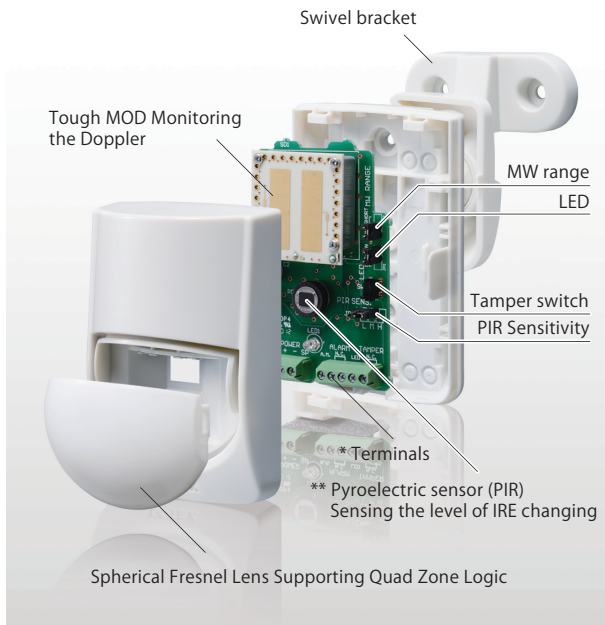


**RELIABLE TOUGH MOD**

RXC-DT gets perfect marriage of PIR and MW.  
Tough MOD is a unique design of OPTEX  
who an expert of sensing technology.

PIR/MICRO-WAVE  
COMBINATION DETECTOR

# RX CORE series



\* Phillips screwdrivers #0 or #00 that meet ISO standards shall be used.  
\*\* IRE stands for Infrared Radiant Energy.

## BASIC PERFORMANCE

- DIGITAL QUAD ZONE LOGIC
- SILENT OUTPUT
- MULTI ANGLE BRACKET
- ADVANCED SEALED OPTICS
- ADVANCED TEMPERATURE COMPENSATION LOGIC

## OPTEX SELF-DEVELOPED MICROWAVE MODULE STAMINA MAXIMUM, SIZE MINIMUM

### What is important for burglar detectors?

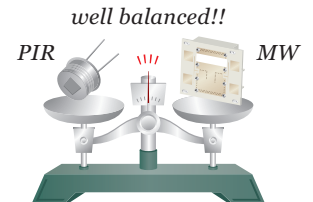
The best performance of the burglar detector depends on how well the PIR detector performs. The detection area is determined by the precision optical designing. The structure to process the signals of the infrared energy gathered through this is the important factor to its performance. PIR detector performs as a main sensor, and the Micro wave detector, to fulfill the role.



### Why is the micro wave detector in need?

It is to keep the best performance of the product under the challenging environment. In other word, to make up the weakness of the PIR detector. For instance, what are the obstacles that affect the performance other than moving objects?

- It is the visible lights, the simple light that we call. This causes the pyro-electric effector temperature change (that triggers the false alarm).
- However, the micro wave detector is free from the negative factors the light brings. Thus, it can minimize the false alarm.
- There are many other weaknesses to improve in the PIR detector for its best performance.



### Why is the original development and manufacture in need?

It is because the generic product alone cannot perform the best, as a result, is not fully credited. The micro wave module we introduce is inevitable to secure the best performance.

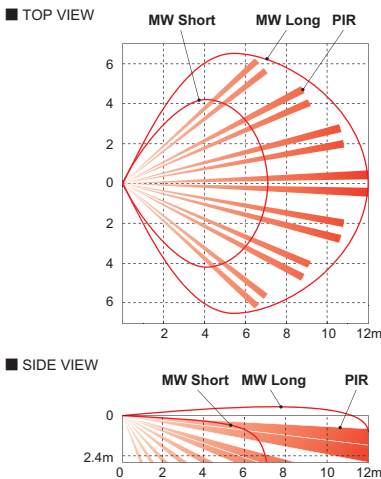
In general, the detectors with micro wave alone is used as occupancy sensors. The burglar detectors with micro wave alone are seldom seen, as their high sensitivity often results in false alarming. The micro wave function assists the best performance of the PIR detector.

### Where can RXC-DT best perform its function?

It can be easily seen in the sever conditions such as; Extremely hot weather or stormy weather where surrounding temperature is easily altered.



## COVERAGE

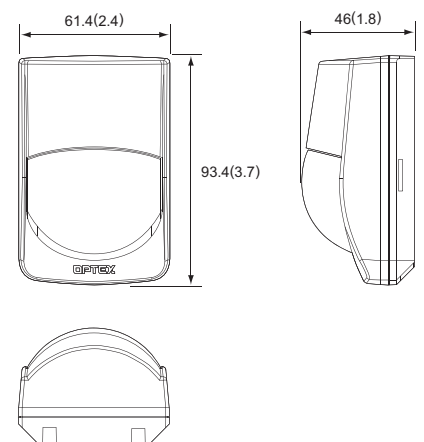


## SPECIFICATIONS

Model	RXC-DT
Detection method	Passive infrared and Microwave
Coverage	12m x 12m(40ft x 40ft) 85°wide
Detection zones	78 zones
Mounting height	1.5 to 2.4m (5 to 8ft)
LED alarm indicator	Switchable ON/OFF
Alarm period	Approx. 2.5 sec
Alarm output	N.C., 28VDC 0.2A max.
Tamper switch	N.C., Open when cover is removed.
Tamper output	24VDC 0.1A max.
PIR sensitivity/range	Switchable LOW/MID/HI
Microwave sensitivity/range	Switchable LONG/SHORT
Warm up period	Approx. 60 sec
Power input	9.5 to 16VDC
Current consumption	12mA (normal), 15mA (max.) at 12VDC
Dimensions	H93.4mm x W61.4mm x D46.0mm
Weight	Approx. 90 g (with bracket: 110 g)
Operating temperature	-20°C to +45°C (-4°F to +122°F)
Environmental humidity	95% max.
RF interference	No alarm 10V/m

Specifications are subject to change without prior notice.

## DIMENSIONS



Unit:mm(inch)



**OPTEX CO., LTD. (JAPAN)**  
5-8-12 Ogoto Otsu Shiga 520-0101 JAPAN  
TEL: +81-77-579-8670  
URL: <http://www.optex.co.jp/e/>

**OPTEX INCORPORATED (USA)**  
TEL: +1-909-993-5770  
Tech: (800) 966-7839  
URL: <http://www.optexamerica.com/>

**OPTEX (EUROPE) LTD. (UK)**  
TEL: +44-1628-631000  
URL: <http://www.optex-europe.com/>

**OPTEX PINNACLE INDIA PRIVATE LIMITED**  
TEL: +91-124-4035704  
URL: <http://www.optex.net/in/>

**OPTEX DO BRASIL LTDA.**  
TEL: +55-11-2225-0934  
URL: <http://www.optexdobrasil.com.br/>

**OPTEX SECURITY SAS (FRANCE)**  
TEL: +33-437-55-50-50  
URL: <http://www.optex-security.com/>

**OPTEX KOREA CO., LTD. (KOREA)**  
TEL: +82-2-719-5971  
URL: <http://www.optexkorea.com/>

**OPTEX SECURITY Sp.z o.o. (POLAND)**  
TEL: +48-22-598-06-55  
URL: <http://www.optex.com.pl/>

**OPTEX (DONGGUAN) CO., LTD. SHANGHAI OFFICE (CHINA)**  
TEL: +86-21-34600673  
URL: <http://www.optexchina.com/>