

Vehicle Detection Sensor **ViiK Count**

**No in ground device required!
Possible to be used at outdoor!**

High performance sensing with a combination of microwave Doppler shift and FMCW technology.

**No in ground
or on ground
device required**

Since no in ground or on ground device required like induction loop. Construction period can be shorted.

Outdoor

Automatic sensing adjustment enables to be used at outdoor.

**No color
influence**

Technically no influence for vehicle body color.

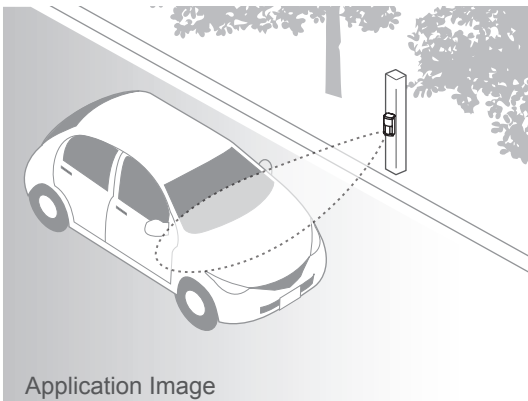
**Human
cancellation**

Human cancellation enables to ignore human and detect vehicle only. (patent pending)



Vehicle Detection Sensor for car counting

ViiK Count OVS-01CC



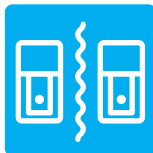
Dust and water proof



2 outputs



Built-in heater



No interference



Area check



Horizontal angle adjustment

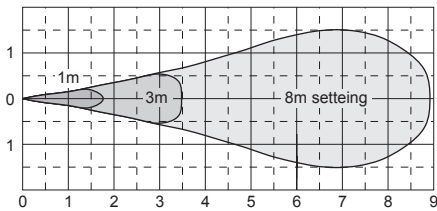
Specifications

Name	ViiK Count (Vehicle Detection Sensor for Vehicle Counting)	
Model	OVS-01CC	
Detection Method	Combination of microwave Doppler shift and FMCW technologies	
Sensor Frequency	24GHz	
Response	300msec	
Supply Voltage	12 - 24VDC	
Power Consumption	Heater enabled: Up to 190mA, Heater disabled : Up to 70mA (at 24V)	
Output	Relay output DC30V, 0.3A (N.O. / N.C. switchable)	
Microwave Sensor Sensing Distance	0.8 to 8m (2.6 to 26.3ft), adjustable	
Detectable Vehicle Speed	2 - 60 kph (1.2 - 37.3 mph)	
Device Setting	Sensitivity	Level 1 to 5
	Output 1 Contact Switching	N.O. / N.C.
	Output 2 Contact Switching	N.O. / N.C.
	Sensing Distance	1 / 2 / 3 / 4 / 5 / 4 / 6 / 7 / 8 m (3.3 / 6.6 / 9.8 / 13.1 / 16.4 / 19.7 / 23.0 / 26.3 ft.)
Indicator	Normal Operation	Standby: Solid Green, Detected: Solid Red Unsuitable environmental notification: Slow Blinking Green
	Detection Area Check	Non detection: Blinking Green, Detected: Blinking Red
	Calibration	Getting ready: Slow Blinking Blue, Calibrating: Quick Blinking Blue
	Sensor Reset	Reset Complete: Solid Yellow for 2 seconds
Human Cancellation Function	Yes	
Operating Ambient Temperature	-30 to 50°C (-22 to 122 F)	
Operating Ambient Humidity	95% max. (no condensation)	
Degree of Protection	IP65	
Installation Location	Indoor / Outdoor	
Installation Height	500mm (20in.) (distance from the ground to the bottom of the unit)	
Sensor Angle Adjustment	Left and Right: ±30 degrees (5-degree step)	
Weight	400 g (15oz)	
Accessories	Retaining screws x 4, Installation manual, OVS-SGA(A) included for US model only	

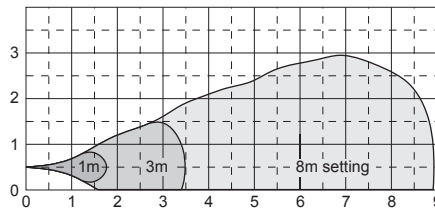
Detection Area Diagram

[Unit:m] 1m=3.3ft.

Top View



Side View

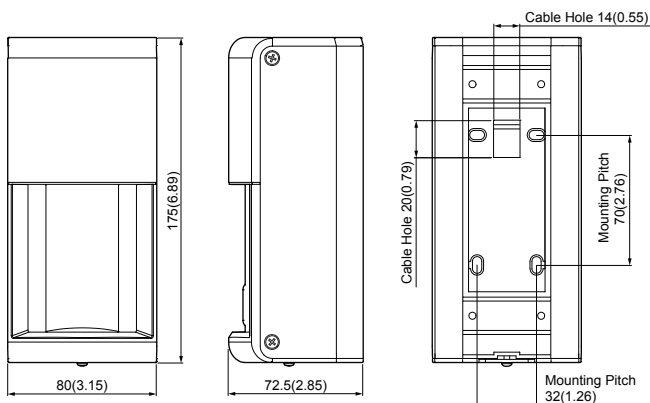


Installation height 0.5m, Sensitivity: 3, Detection area check mode

* Under the normal operation mode, the detection area by an actual vehicle may be smaller.

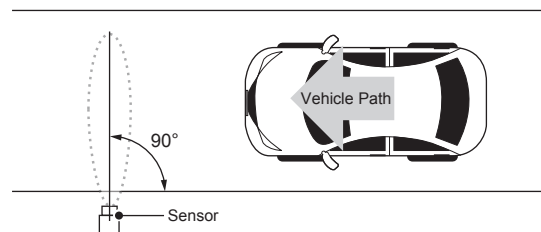
Dimensions

[Unit:mm(inch)]



Sensor Installation Conditions

Install the pole for the sensor in the following layout. The sensor will not work properly unless its installation direction and height are correct.



Specifications are subject to change without notice for improvement.



OPTEX CO.,LTD. (JAPAN)
 (ISO 9001 Certified) (ISO 14001 Certified)
 5-8-12 Ogoto Otsu Shiga 520-0101 JAPAN
 TEL:+81-77-579-8670
 www.optex.co.jp/e/

OPTEX INC. (USA)
 TEL:800-877-6656 (Toll free)
 www.optexamerica.com/

OPTEX (EUROPE)LTD. (UK)
 TEL:+44-1628-631000
 www.optex-europe.com/

OPTEX SECURITY SAS (FRANCE)
 TEL:+33-437-55-50-50
 www.optex-security.com/

OPTEX SECURITY Sp.zo.o. (POLAND)
 TEL:+48-22-598-06-55
 www.optex.com.pl/

OPTEX KOREA CO., LTD. (KOREA)
 TEL:+82-2-719-5971
 www.optexkorea.com/

OPTEX (DONGGUAN) CO., LTD. SHANGHAI OFFICE (CHINA)
 TEL:+86-21-34600673
 www.optexchina.com/

OPTEX (THAILAND) CO., LTD.
 TEL:+66-2-168-3162
 optex.co.th/